

- Monitor Hepatic tissue or Intraperitoneal metabolism
- Reinforced shaft
- Available with 20 000 or 100 000 Dalton membrane cut off
- Suture attached for easy fixation

61 Microdialysis Catheter

The sterile, single use 61 Microdialysis Catheter and the 61 High Cut Off Microdialysis Catheter, are intended to enable microdialysis in the hepatic tissue or in the intraperitoneal cavity. The 61 MD Catheter has a membrane with 20,000 Dalton cut off and the 61 High Cut Off MD Catheter has a 100,000 Dalton cut off membrane.

Both the 61 MD Catheter & 61 High Cut Off MD Catheter have a shaft length of 310 mm and a membrane length of 30 mm. The catheter is first introduced by the surgeon via a tunneling needle through the abdominal wall during open surgery.

-When placed into the liver tissue it is achieved with the help of a splittable introducer and after insertion it is secured to the liver by sutures to the falciform ligament.

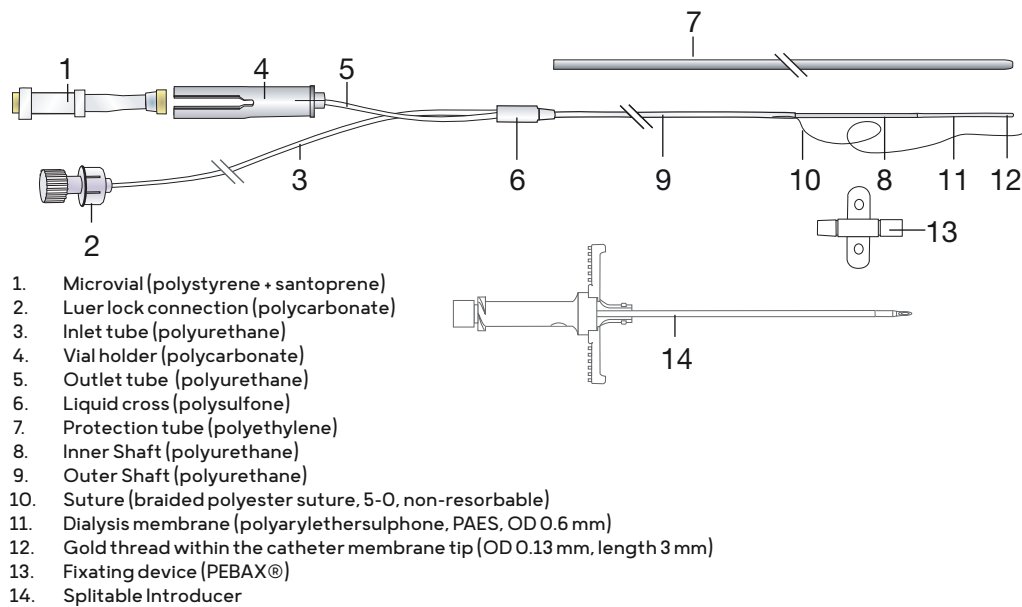
-For intraperitoneally use it is placed free floating in the intraperitoneal cavity close to the intestinal anastomosis or the region of interest.

A unique monitoring system

The 61 MD Catheter and the Microdialysis Pump form a complete system with the ISCUSflex Microdialysis Analyzer. Microdialysis offers a unique opportunity to monitor the metabolism of the liver or the intraperitoneal cavity for several days.

When using the 61 High Cut Off Microdialysis catheter we recommend perfusing the catheter with perfusion fluid containing high molecular weight substances for fluid balance and to avoid ultrafiltration (e.g. Dextran or similar).

Parts of the 61 Microdialysis Catheters



Technical information

	MATERIAL	LENGTH mm	∅ mm
		8010226 / 8050191	8010226 / 8050191
inner shaft	polyurethane	310	OD 0.9
outer shaft	polyurethane	280	OD 1.5
membrane	polyarylethersulphone, PAES	30	OD 0.6
inlet tube	polyurethane	400	OD 1.0
outlet tube	polyurethane	70	OD 1.0
Membrane Cut-off: Approx. 20,000 Daltons or 100,000 Daltons			

Ordering information

	Ref. No.
61 Microdialysis Catheter (20kDa) incl. Splitable Introducer SI-2, 4/pkg	8010226
61 High Cut Off Microdialysis Catheter (100kDa) incl. Splitable Introducer SI-2, 4/pkg	8050191

Accessories

	Ref. No.		Ref. No.
Splitable Introducer SI-2/4/pkg	8010343	106 Pump Syringe 20/pkg	8010191
Microvials 250/pkg	P000001	Perfusion Fluid T1 10x5mL	P000034
Microvial Rack 12/pkg	P000028	Battery 6V	8001788
Microvials in rack Sterile 12x4	P000154	Pump kit periperal tissue	8003790
106 Microdialysis Pump	P000003	Tunneling needle	P000055
107 Microdialysis Pump	P000127		

CE 0413 CE marked according to the Medical Device Directive, 93/42/EEC

STERILE R

Sterilized by β -radiation



Storage temperature: 4-25 °C



Single use only



Shelf life: 2 years from the manufacturing date

M Dialysis AB: Hammarby Fabriksväg 43, SE-120 30 Stockholm, Sweden Tel: +46-8-470 10 20 www.mdialysis.com
 US Office: 73 Princeton Street, North Chelmsford, MA 01863 USA Tel: (866)868-9236 (978) 251-1940 Fax: (978) 251-1960 E-mail: usa@mdialysis.com