

- Reliable and accurate blood monitoring for 3 days
- Easy insertion using a standard peripheral venous catheter
- Introducer included

67 Intravenous Microdialysis Catheter

The 67 Intravenous Microdialysis Catheter is a minimally invasive sterile, single use device intended for continuous microdialysis sampling in the peripheral venous system or in Cerebrospinal Fluid (CSF) e.g. via an External Ventricular Drain (EVD) for up to three days.

The 67 IV Microdialysis Catheter is a device that allows energy related metabolites, drugs and other small substances to diffuse into the catheter reflecting accurate concentrations in the blood or CSF. The catheter is perfused with a physiologic solution and the samples are collected in microvials for analysis as often as every other minute.

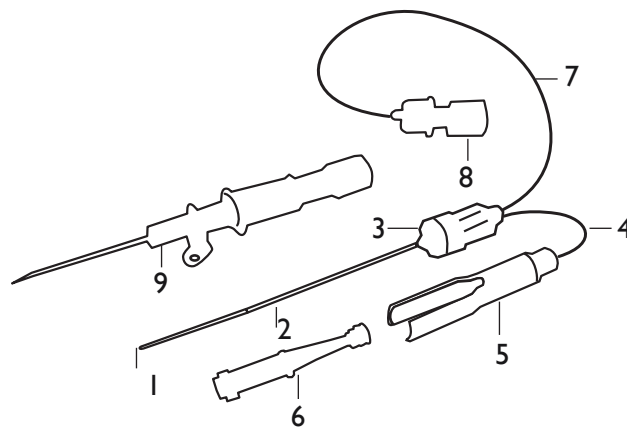
In blood monitoring the 67 IV Microdialysis Catheter is applied simply using a standard peripheral venous catheter and can be used intravenously for up to 72 hours of monitoring. The clean samples and possibility for frequent sampling without discomfort for the patient makes it ideal for clinical research. The catheter is available in 4 different versions of membrane and shaft lengths. In blood monitoring, recovery performance is optimized by using the type with 30 mm membrane at 0.3 μ l/min flow rate.

When monitoring in CSF drain the 67 IV Microdialysis catheter is inserted into a Stop cock connector that is attached to the out-flow from a CSF drain pump e.g. LiquoGuard®

Monitoring Free Fractions of drugs

The 67 IV Microdialysis Catheter is for microdialysis monitoring of hospitalized patients during surgery, intensive care or in the general wards. The catheter is also excellent for continuous monitoring of the free concentration of drugs in blood or in CSF during pharmacokinetic and pharmacodynamics studies.

Parts of the 67 IV Microdialysis Catheter



- 1. Dialysis membrane
- 2. Shaft
- 3. Liquid cross with Luer-Lock connector
- 4. Outlet tube
- 5. Vial holder
- 6. Microvial
- 7. Inlet tube
- 8. Luer-Lock connection
- 9. Peripheral Venous Catheter (PVC)

	MATERIAL	LENGTH mm	LENGTH mm	LENGTH mm	LENGTH mm	Ø mm
		8050090	8050091	8050092	8050093	
shaft	polyurethane	46	46	46	130	OD 0.9
membrane	polyarylethersulphone	10	20	30	10	OD 0.6
inlet tube	polyurethane	200	200	200	200	OD 1.0
outlet	polyurethane	45	45	45	45	OD 1.0
PVC	polypropylene, ABS, chrome-nickel steel, polyurethane	32	32	32	50	OD 1.3/1.7

Ordering information

	Ref. No.
67 IV Microdialysis Catheter 46/10, 4/pkg	8050090
67 IV Microdialysis Catheter 46/20, 4/pkg	8050091
67 IV Microdialysis Catheter 46/30, 4/pkg	8050092
67 IV Microdialysis Catheter 130/10, 4/pkg	8050093

Accessories

	Ref. No.		Ref. No.	
Microvials 250/pkg	P000001	106 Microdialysis Pump, 1pc	P000003	
Microvial Rack 12/pkg	P000028	107 Microdialysis Pump, 1pc	P000127	
Microvials in rack, Sterile 12x4	P000154	106 Pump Syringe 20/pkg	8010191	
Battery 6V	8001788			



CE marked according to the Medical Device Directive, 93/42/EEC



Sterilized by β -radiation



Storage temperature: 4-25 °C



Single use only



Shelf life: 2 years from the manufacturing date