

- Monitor Hepatic tissue metabolism
- Reinforced shaft
- Splitable Introducer included
- Suture attached for easy fixation

61 Hepatic Microdialysis Catheter

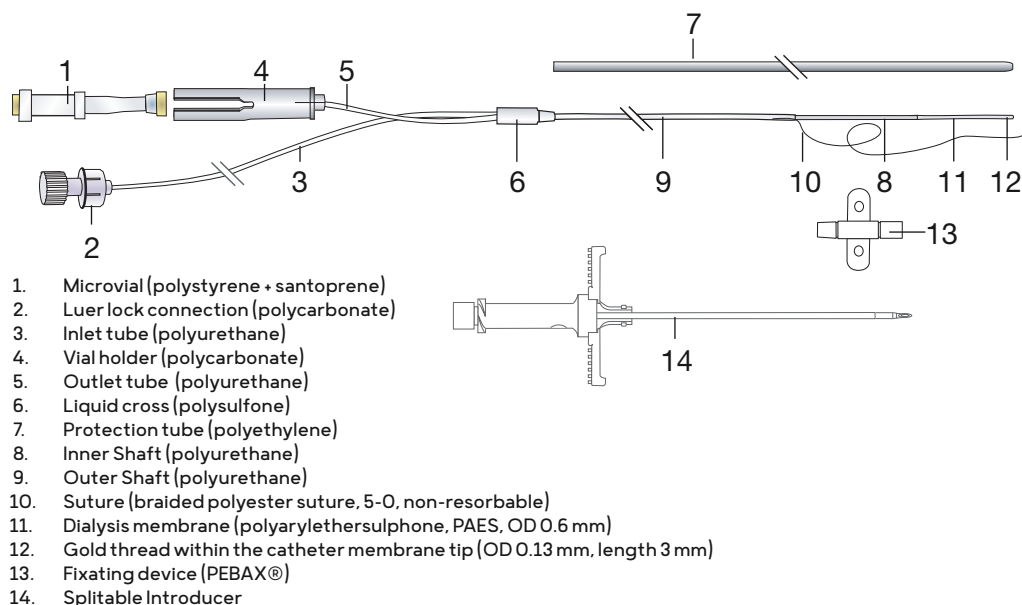
The sterile, single use 61 Hepatic Microdialysis Catheter, is intended to perform microdialysis in the hepatic tissue to measure tissue metabolism in relation to liver transplantation. The dialysing membrane of the 61 Hepatic Microdialysis Catheter is designed to achieve excellent diffusion characteristics, allowing a high recovery of substances from the liver tissue extracellular fluid.

The 61 Hepatic Microdialysis Catheter has a shaft length of 310 mm and a membrane length of 30 mm. It is introduced into the abdominal cavity via a tunneling needle. Insertion into the liver is achieved with the help of a splitable introducer. After insertion the catheter is sutured to the falciform ligament by the surgeon.

A unique continuous monitoring system

The 61 Hepatic Microdialysis Catheter and the Microdialysis Pump forms a complete system with the ISCUSflex Microdialysis Analyzer. Microdialysis offers a unique opportunity to continuously monitor the metabolism of the liver. Unlike other methods of monitoring the liver postoperatively, microdialysis reflects metabolic changes continuously for several days.

Parts of the 61 Hepatic Microdialysis Catheter



Technical information

	MATERIAL	LENGTH mm	Ø mm
inner shaft	polyurethane	310	OD 0.9
outer shaft	polyurethane	280	OD 1.5
membrane	polyarylethersulphone, PAES	30	OD 0.6
inlet tube	polyurethane	400	OD 1.0
outlet tube	polyurethane	70	OD 1.0
membrane cut-off 20.000 Daltons			

Ordering information

61 Hepatic Microdialysis Catheter 4/pkg
incl. Splitable Introducer SI-2 4/pkg

Ref. No.

8010226

Accessories

Splitable Introducer SI-2 4/pkg

Ref. No.

8010343

Tunnelating needle

P000055

Microvials 250/pkg

P000001

Microvial Rack 12/pkg

P000028

Microvials in rack Sterile 12x4

P000154

106 Microdialysis Pump

P000003

107 Microdialysis Pump

P000127

106 Pump Syringe 20/pkg

8010191

Perfusion Fluid T1 10x5mL

P000034

Battery 6V

8001788

Pump kit periperal tissue

8003790



CE marked according to the Medical Device Directive, 93/42/EEC



Sterilized by β -radiation



Storage temperature: 4-25 °C



Single use only



Shelf life: 2 years from the manufacturing date